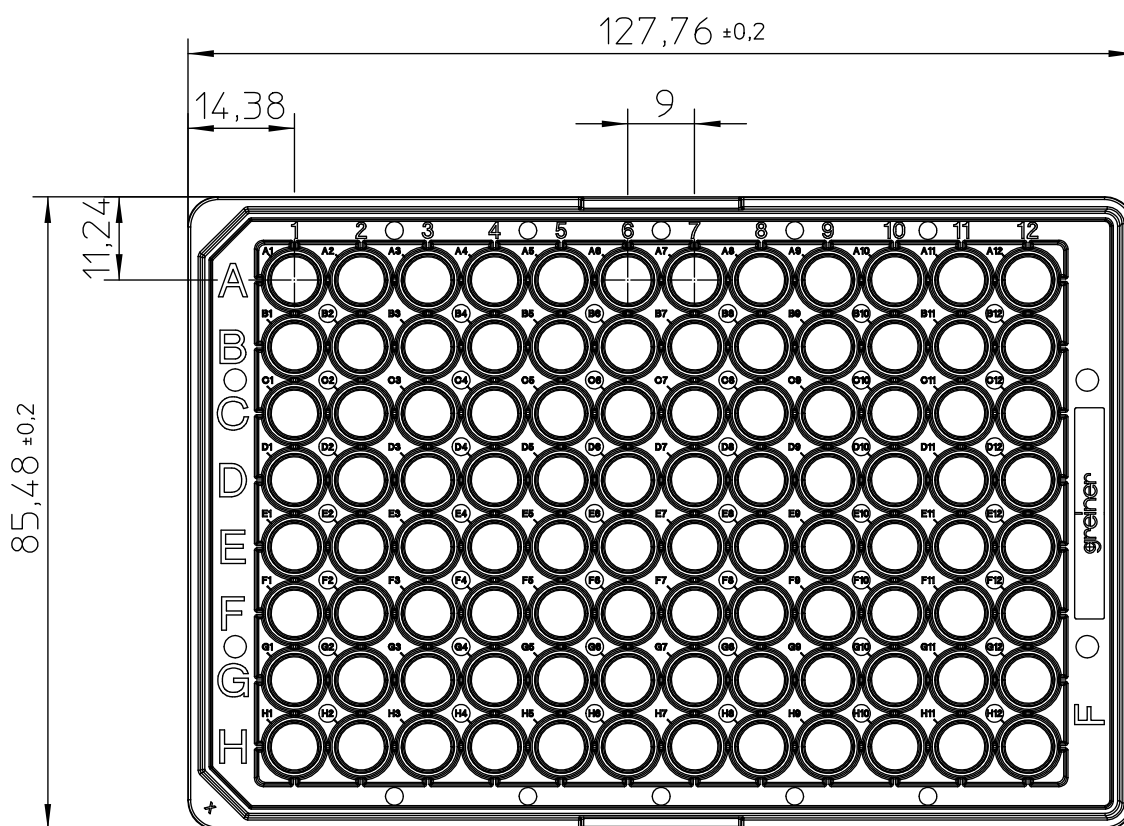
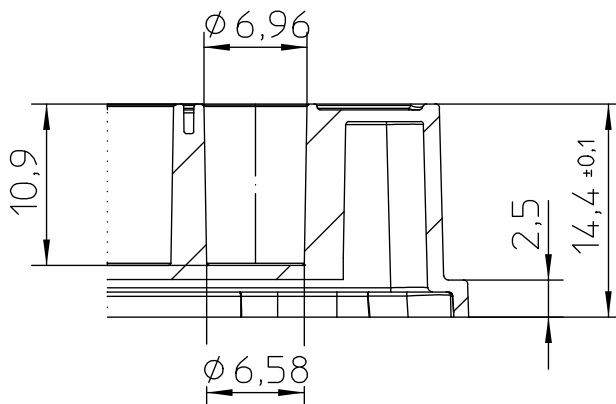
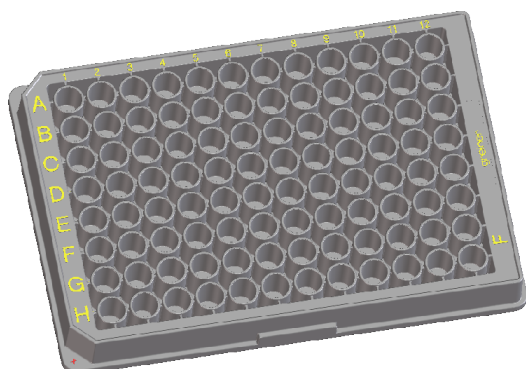


Valid for Item-No.: 655083, 655086,



Only layout change, no design change of the product.  
Prior drawing No. AC-655083/ 655086/ Rev 01/ July 27, 2005

"All dimensions in mm"

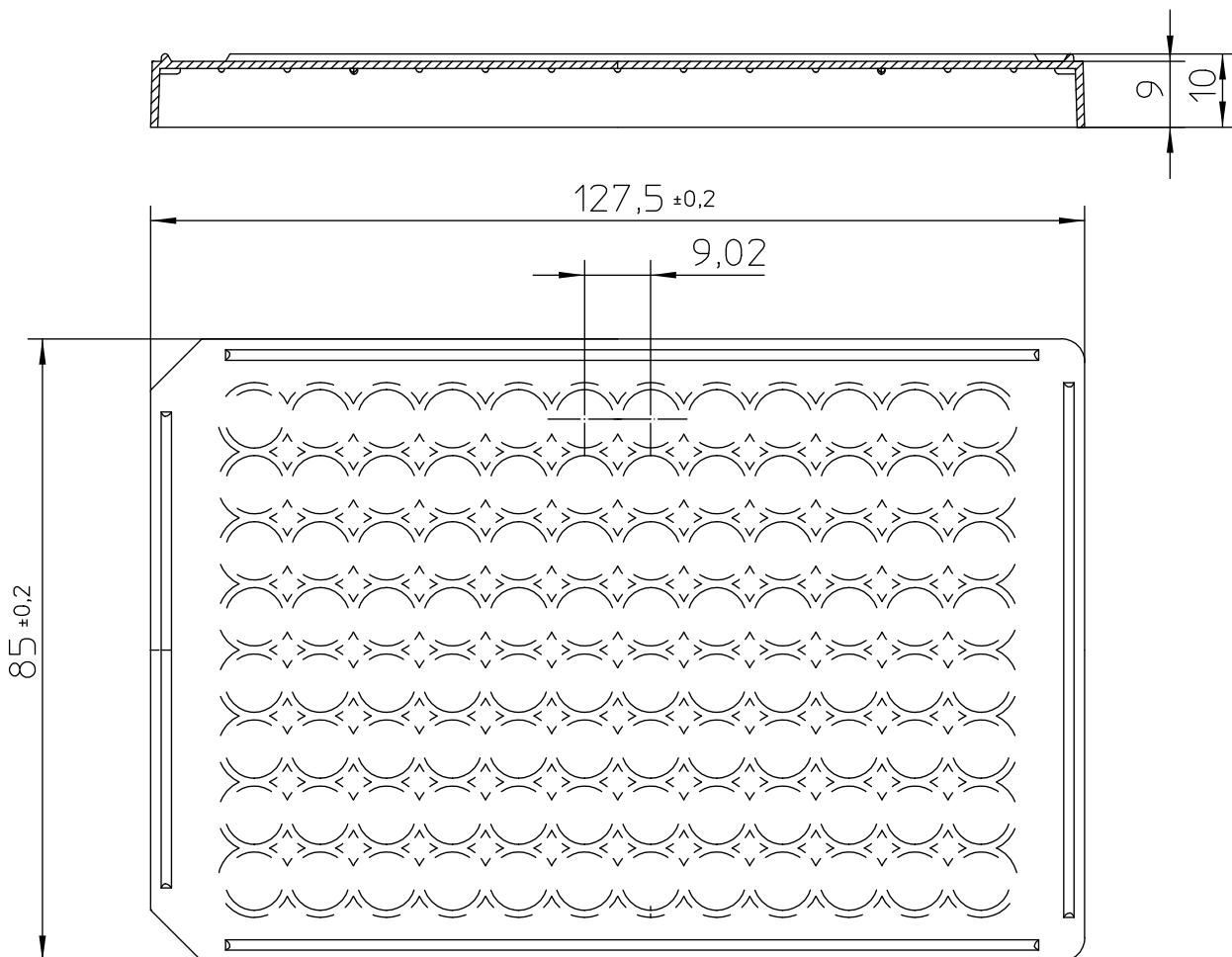
Customer drawing subject to change without notice!

Uncontrolled Copy

| Prior Issue | Drawn              | Approved           | Released           | CONFIDENTIAL: Information contained in this document or drawing is confidential and proprietary to Greiner Bio-One GmbH. This document may not be reproduced for any reason without written permission from Greiner Bio-One GmbH. All rights of design, invention, and copyright are reserved. |
|-------------|--------------------|--------------------|--------------------|--|
| Revision    | Date<br>2011/03/22 | Date<br>2011/03/23 | Date<br>2011/03/23 |  |
| Date        | Name<br>falter     | Name<br>falter     | Name<br>sonntag    |  |



Valid for Item-No.: 655083, 655086,



"All dimensions in mm"

Customer drawing subject to change without notice!

Uncontrolled Copy

| Prior Issue | Drawn              | Approved           | Released           | CONFIDENTIAL: Information contained in this document or drawing is confidential and proprietary to Greiner Bio-One GmbH. This document may not be reproduced for any reason without written permission from Greiner Bio-One GmbH. All rights of design, invention, and copyright are reserved. |
|-------------|--------------------|--------------------|--------------------|--|
| Revision    | Date<br>2011/03/22 | Date<br>2011/03/23 | Date<br>2011/03/23 |  |
| Date        | Name<br>falter     | Name<br>falter     | Name<br>sonntag    |  |