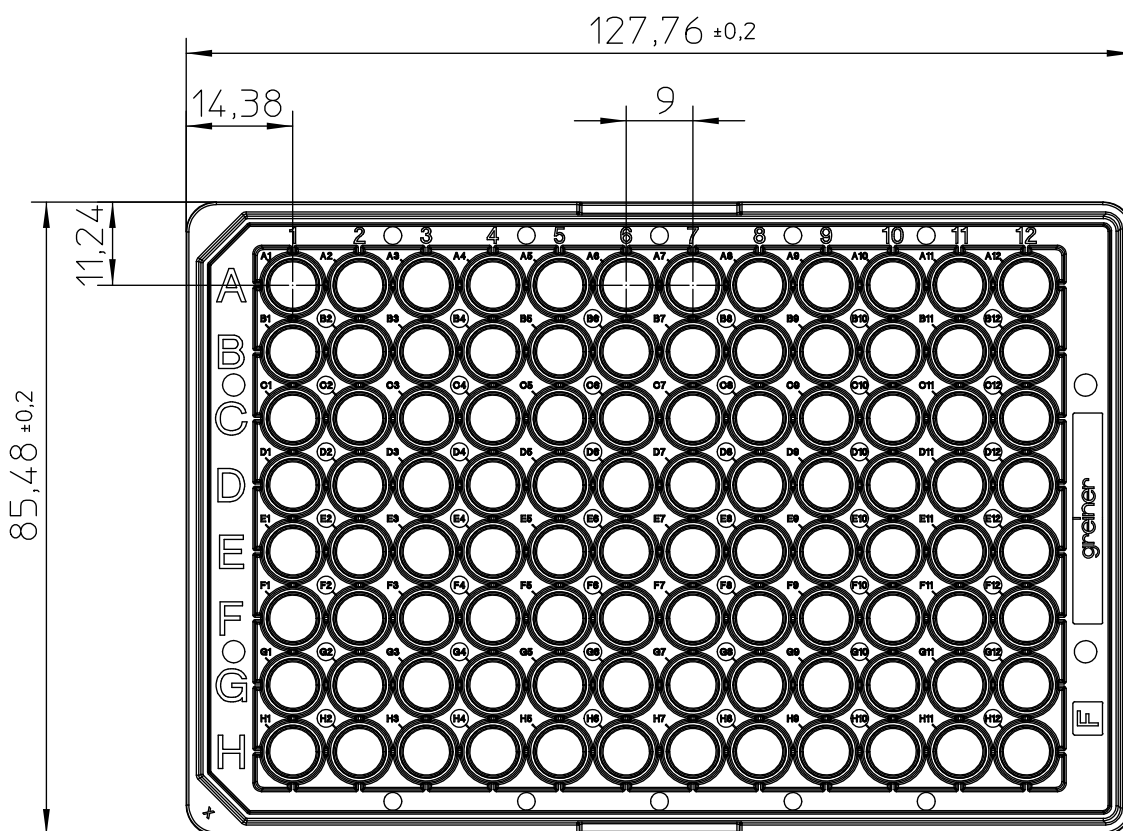
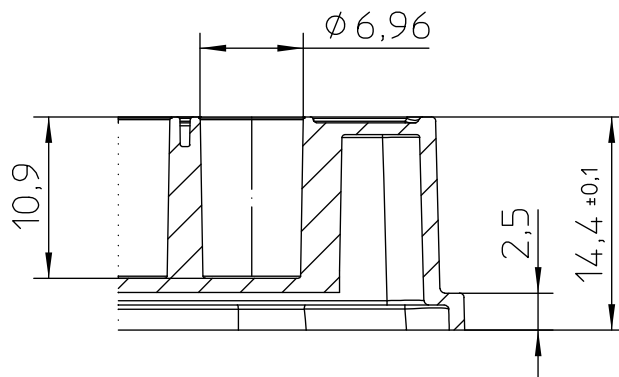
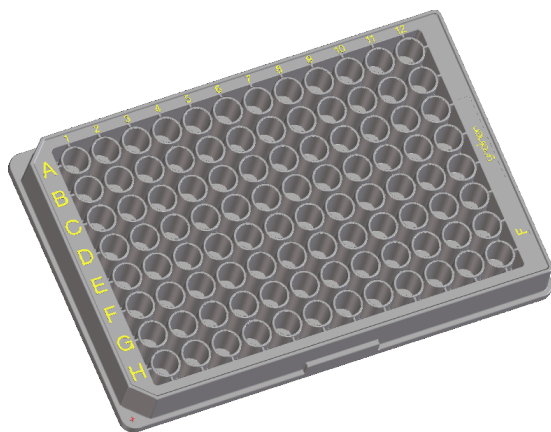


Valid for Item-No.: 655160, 655162, 655180, 655182, 655185, 655970



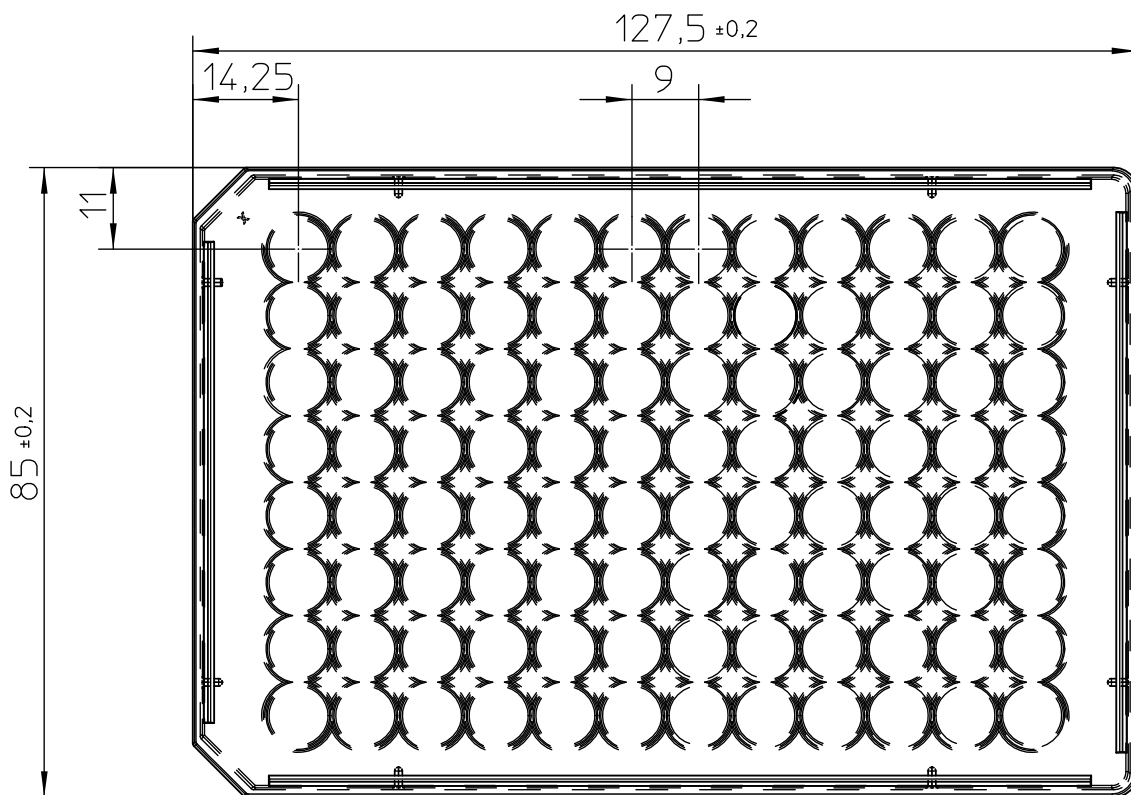
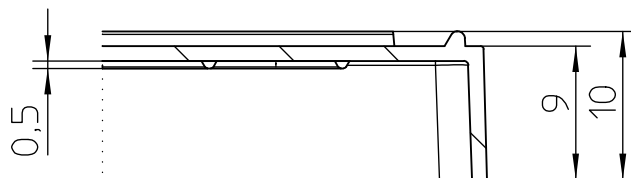
"All dimensions in mm"

Customer drawing subject to change without notice!

Uncontrolled Copy

Prior Issue	Drawn	Approved	Released	CONFIDENTIAL: Information contained in this document or drawing is confidential and proprietary to Greiner Bio-One GmbH. This document may not be reproduced for any reason without written permission from Greiner Bio-One GmbH. All rights of design, invention, and copyright are reserved.
Revision 3	Date 2011/05/06	Date 2012/11/30	Date 2012/11/30	
Date 2012/11/27	Name falter	Name falter	Name sonntag	

Valid for Item-No.: 655160, 655162, 655180, 655182, 655185, 655970



Item-No. 655160, 655162 without lid  
 Item-No. 655180, 655182, 655185 lid with condensation rings

"All dimensions in mm"

Customer drawing subject to change without notice!

Uncontrolled Copy

Prior Issue	Drawn	Approved	Released	CONFIDENTIAL: Information contained in this document or drawing is confidential and proprietary to Greiner Bio-One GmbH. This document may not be reproduced for any reason without written permission from Greiner Bio-One GmbH. All rights of design, invention, and copyright are reserved.
Revision 3	Date 2011/05/06	Date 2012/11/30	Date 2012/11/30	
Date 2012/11/27	Name falter	Name falter	Name sonntag	