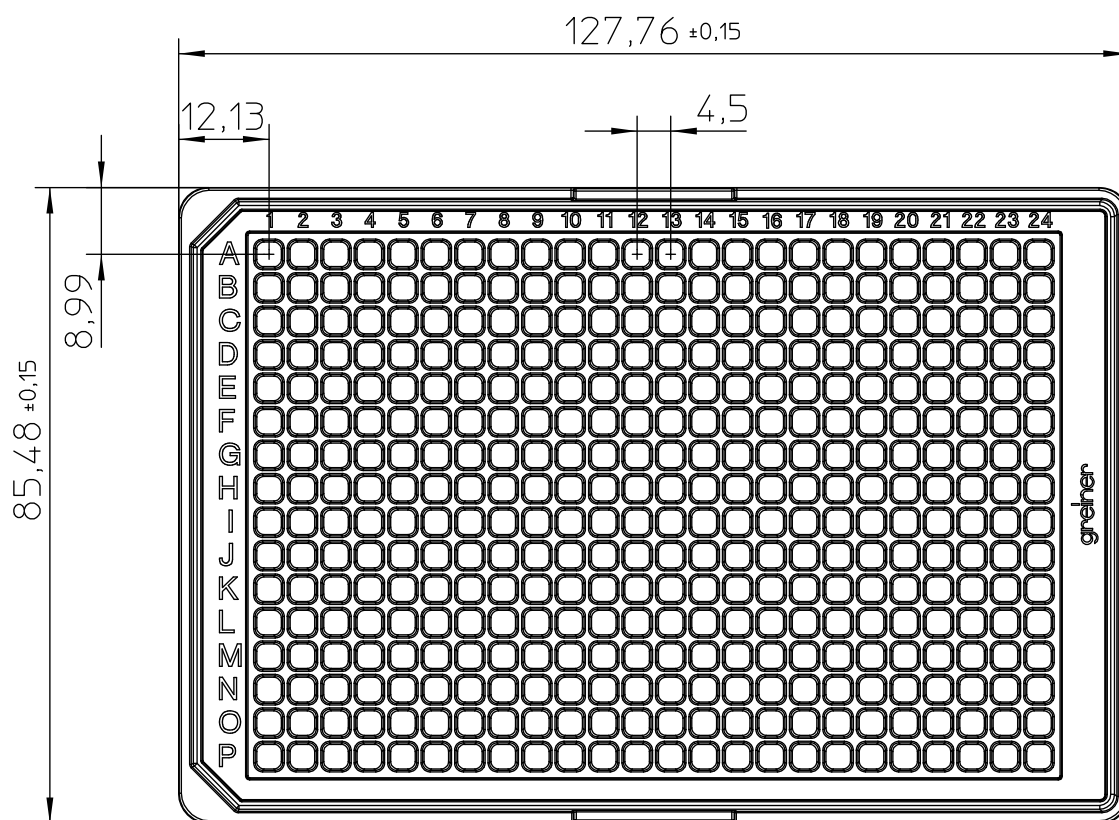
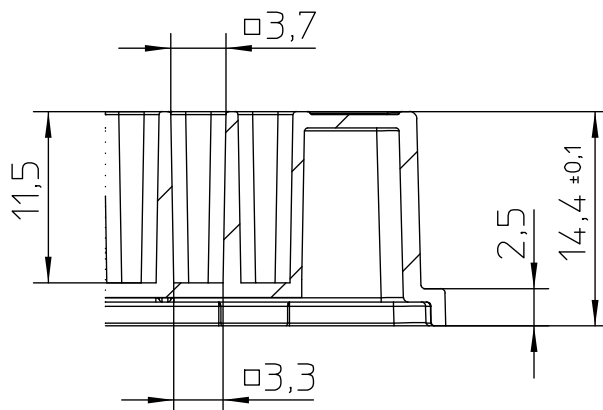
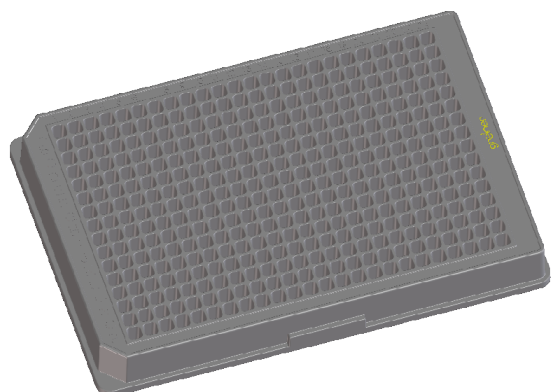




Valid for Item-No.: 781073, 781074, 781075, 781076, 781077, 781079, 781080, 781086, 781075-01, 781076-01, 781076-02, 781101-02, 781101, 781162, 781165, 781182, 781185, 781186



Only layout change, no design change of the product.
 Prior drawing No. AC-78107x/ 78108x/ Rev 03/ January 23, 2008
 AC-781061/7811xx/ REv 03/ January 23, 2009

"All dimensions in mm"

Customer drawing subject to change without notice!

Uncontrolled Copy

Prior Issue	Drawn	Approved	Released	CONFIDENTIAL: Information contained in this document or drawing is confidential and proprietary to Greiner Bio-One GmbH. This document may not be reproduced for any reason without written permission from Greiner Bio-One GmbH. All rights of design, invention, and copyright are reserved.
Revision 1	Date 2011/03/23	Date 2011/08/30	Date 2011/08/30	
Date 2011/03/23	Name falter	Name falter	Name sonntag	



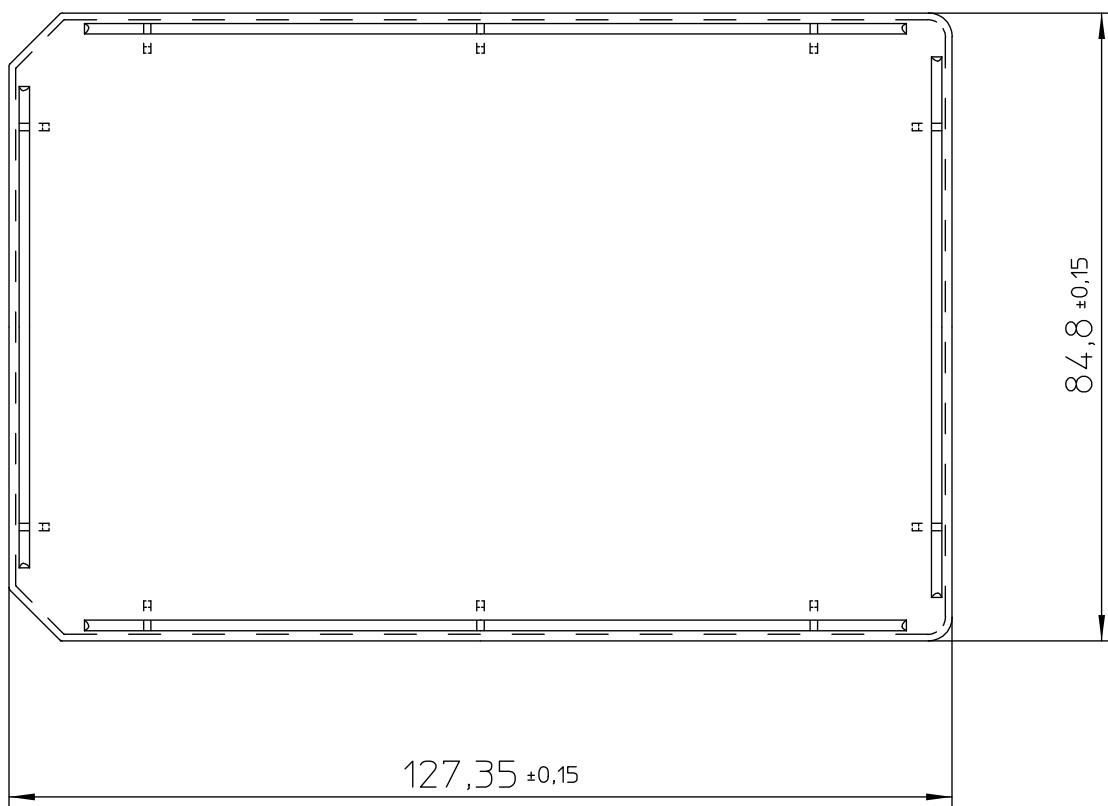
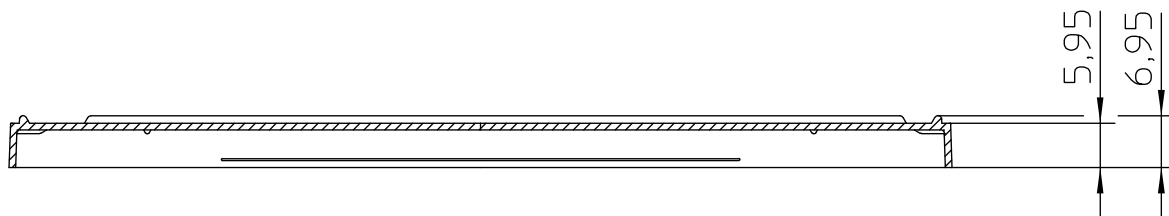
Revision 2

384 Well Microplate, PS,

Solid Bottom

781073, 781074, 781075, 781076, 781077, 781078, 781080, 781086, 781075-01, 781076-01, 781076-02, 781101-02, 781102

Valid for Item-No.: 781162, 781165, 781182, 781185, 781186



"All dimensions in mm"

Customer drawing subject to change without notice!

Uncontrolled Copy

Prior Issue	Drawn	Approved	Released	CONFIDENTIAL: Information contained in this document or drawing is confidential and proprietary to Greiner Bio-One GmbH. This document may not be reproduced for any reason without written permission from Greiner Bio-One GmbH. All rights of design, invention, and copyright are reserved.
Revision 1	Date 2011/03/23	Date 2011/08/30	Date 2011/08/30	
Date 2011/03/23	Name falter	Name falter	Name sonntag	