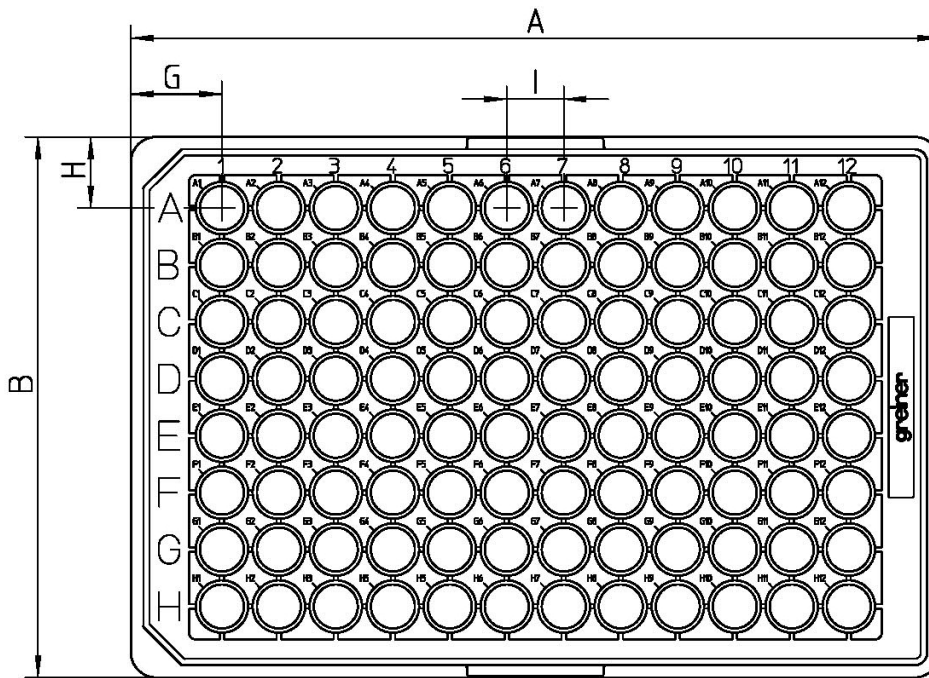
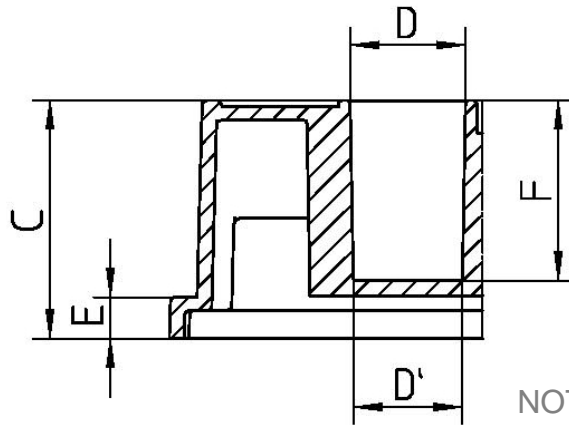


AC- 655083/ 655086	CUSTOMER DRAWING	Page 1 of 1
Revision 01	96 Well Microplate, PS, CELLSTAR [®] , Solid Bottom, Chimney Well	
	Item-No. 655 083 / 655 086	



Cat.-No.	Description	A	B	C	D	D'	E	F	G	H	I
655 083	Microplate	127.76 ±0.2	85.48 ±0.2	14.4 ±0.1	Ø 6.96	Ø 6.58	2.5	10.9	14.38	11.24	9.0
655 086	Microplate	127.76 ±0.2	85.48 ±0.2	14.4 ±0.1	Ø 6.96	Ø 6.58	2.5	10.9	14.38	11.24	9.0

All dimensions in mm

Customer drawing subject to change without notice!

Prior Issue	Drawn	Approved	Released	CONFIDENTIAL: Information contained in this document or drawing is confidential and proprietary to Greiner Bio-One GmbH. This document may not be reproduced for any reason without written permission from Greiner Bio-One GmbH. All rights of design, invention, and copyright are reserved.
Revision 01	Date July 27, 2005	Date July 27, 2005	Date July 27, 2005	
Date July 27, 2005	Name F. Falter	Name F. Sonntag	Name F. Sonntag	